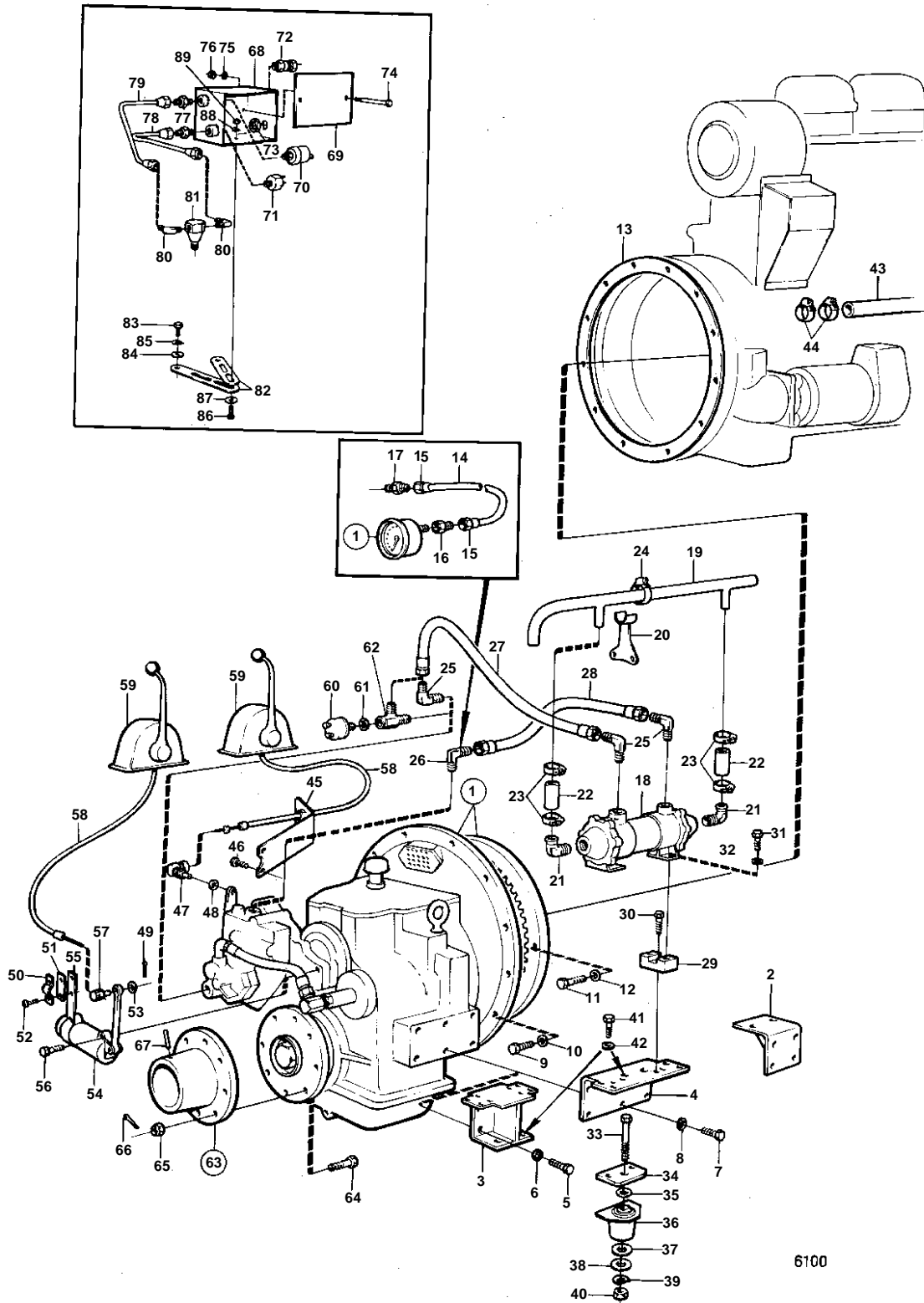


TMD100A SPEC 867670, MD100B SPEC 867669



**REVERSE GEAR TWIN DISC MG509 WITH INSTALLATION COMP.,
CLASSIFIED ENGINE**

04A

TMD100A SPEC 867670,MD100B SPEC 867669

REF	PART NO.	QTY	DESCRIPTION	SEE SEC.	NOTES
1		1	REV. GEAR, RATIO 1,45:1		
		1	REV. GEAR, RATIO 1,93:1		MG509
		1	REV. GEAR, RATIO 3:1		MG509
		1	REV. GEAR, RATIO 3,39:1		MG509
		1	REV. GEAR, RATIO 3,83:1		MG509
		1	REV. GEAR, RATIO 4,5:1		MG509
			COMPONENTS		
2	837060	1	Bracket		25 MM HOLE FOR PROPELLER SHAFT.
3	837062	1	Bracket		25 MM HOLE FOR PROPELLER SHAFT.
4	837098	2	Bracket		30 MM HOLE FOR PROPELLER SHAFT.
5	955561	8	Screw		
6	940280	8	Spring washer		
7	955589	12	Screw		
8	941912	12	Spring washer		
9	940134	12	Screw		
10	941909	12	Spring washer		
11	955561	8	Screw		
12	940280	8	Spring washer		
13	800314	1	Gasket		
14	954303	X	Copper tube		L = 5000 MM
15	954320	2	Nut		
16	836064	1	Nipple		
17	954334	1	Fitting		
18	837083	1	Oil cooler		
				04A-0700	
19	837084	1	Pipe		25 MM HOLE FOR PROPELLER SHAFT.
	837110	1	Tube		30 MM HOLE FOR PROPELLER SHAFT.
20	837075	2	Bracket		
21	898683	2	Hose attachment		
22	943370	X	Rubber hose		
23	943478	4	Clamp		
24	943476	2	Hose clamp		
25	837063	3	Elbow union		
26	837064	1	Elbow union		
27	837096	1	Hose		L = 680 MM. 25 MM HOLE FOR PROPELLER SHAFT.
	837119	1	Hose		L = 600 MM. 30 MM HOLE FOR PROPELLER SHAFT.
28	837120	1	Hose		L = 575 MM. 25 MM HOLE FOR PROPELLER SHAFT.
	837121	1	Hose		L = 520 MM. 30 MM HOLE FOR PROPELLER SHAFT.
29	837091	2	Intermediate section		30 MM HOLE FOR PROPELLER SHAFT.
30	955524	4	Screw		30 MM HOLE FOR PROPELLER SHAFT.
31	940135	4	Screw		30 MM HOLE FOR PROPELLER SHAFT.
	940113	4	Screw		25 MM HOLE FOR PROPELLER SHAFT.
32	941907	4	Spring washer		
33	959827	2	Screw		
34	824374	2	Intermediate plate		
35	836325	2	Washer		
36	836961	2	Rubber element		
37	836963	2	Rubber washer		
38	836962	2	Washer		
39	941912	2	Spring washer		
40	955829	2	Nut		
41	955589	4	Screw		
42	941912	4	Spring washer		
43	952977	X	Radiator hose		L = 140 MM
44	943478	8	Clamp		
45	845508	1	Control attachment		
46	940159	2	Screw		
47	842782	1	Ball joint		
48	955892	1	Washer		
49	907824	2	Cotter pin		
50	819067	2	Brace		
51	819068	2	Washer		
52	950021	4	Screw		

7742120 - 04A - 04A-0275

6100

Upd: 22 NOV 2005

MD100A, TMD100A, MD100B

**VOLVO
PENTA**

**REVERSE GEAR TWIN DISC MG509 WITH INSTALLATION COMP.,
CLASSIFIED ENGINE**

04A

TMD100A SPEC 867670,MD100B SPEC 867669

REF	PART NO.	QTY	DESCRIPTION	SEE SEC.	NOTES
53	940191	2	Washer		
54	836141	1	Valve		TWIN DISC XA 6575 B
			COMPONENTS		
55	836139	1	Bracket		
56	955538	2	Screw		
57	814082	1	Cube		
58		X	CONTROL CABLE		SEE GROUP 9
59		X	CONTROL		SEE GROUP 9
60	837781	1	Pressure sensor		SEE GROUP 3
61	957181	1	Gasket		SEE GROUP 3
62	842717	1	Nipple		SEE GROUP 3
63	837055	1	Clutch flange		I.D = 30 MM. FOR TRANSPORT.. 25 MM HOLE FOR PROPELLER SHAFT.
	837093	1	Companion flange		I.D = 60 MM. FOR TRANSPORT.. 30 MM HOLE FOR PROPELLER SHAFT.. 1" HOLE FOR PROPELLER SHAFT.
64	955750	6	Screw		FOR 837054
	955772	8	Screw		FOR 837092
65	955887	6	Nut		FOR 837054
	955889	8	Castle nut		FOR 837092
66	907861	6	Cotter pin		FOR 837054
	907881	8	Cotter pin		(907877) FOR 837092
67	17178	2	Pin		FOR 837054
	907661	2	Pin		FOR 837092
68	843224	1	Box		
69	843225	1	Cover		
70	837781	1	Pressure sensor		
71	843813	1	Switch		ALARM
72	881192	1	Cable union		
73	880243	1	Nut		
74	963205	2	Screw		
75	941906	2	Spring washer		
76	955781	2	Nut		
77	954335	1	Fitting		
78	845645	1	Tube		
79	844264	1	Tube		
80	954342	3	Elbow union		
81	942490	1	T-nipple		
82	965541	4	Bracket		
83	955534	2	Screw		
84	940097	2	Washer		
85	942336	2	Spring washer		
86	955272	2	Screw		
87	960139	4	Washer		
88	941906	2	Spring washer		
89	955781	2	Nut		